

Low/High Bay Luminaire

H/M/SDK 900



H/M/SDK 900

A sturdy long lasting quality electrical gear housing of compact and elegant design, suitable to give together with a range of reflector types and attachments, the right solution for low and high bay lighting requirement.

Classifications
 IP 65 (Gear compartment)
 Class I
 Complies with IEC 598

Main applications
 - Industrial areas
 - Sports halls
 - Commercial areas or other large halls requiring luminaires, suitable for high mounting ceiling.

Features
 • The commercial name for this low and high bay luminaire is Phoenix.

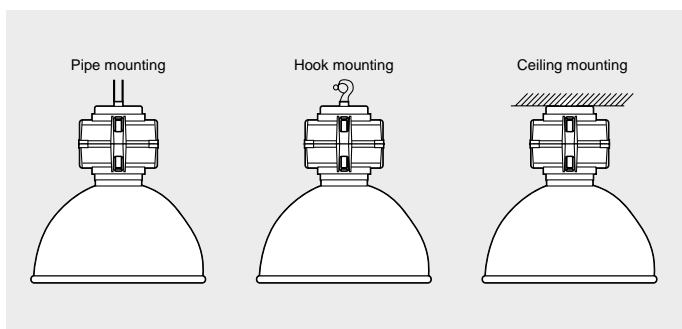
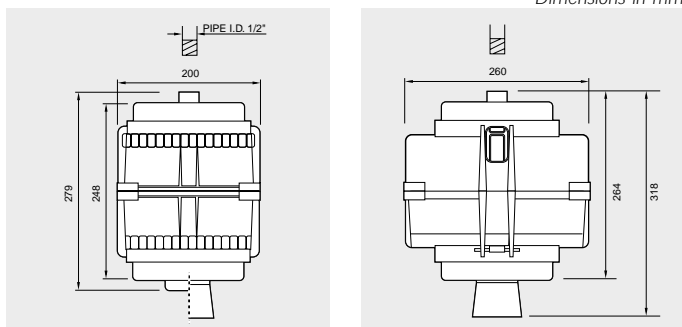
• It is designed to incorporate low and medium wattage HID lamps. Also the use of QL lamps is possible.
 • The gear housing can be combined with standard Philips aluminium reflector and a range of acrylic reflectors.
 • For use with any of the following HID lamps: 250W or 400W – HPL-N, SON or HPI BU (S) lamps.

• The wattage range between 150 – 400 watt for HID lamps.
 • QL lamps at 55W and 85W can also be used.
 • Coloured gear housings are possible upon request.
 • The aluminium material is of heat, corrosion and UV resistant type.
 • The luminaire is delivered standard in unpainted version. Painted versions are available upon request.
 • IP65 ingress protection rating in the gear housing is secured through the use of a neoprene gasket between the housing.

- The gear box uses Philips standard ballasts and is using silicone cable to improve resistance against the heat inside the housing.
- The luminaire is suitable for indoor and outdoor use at an ambient temperature of max 45°C.
- Luminaires in combination with narrow beam reflectors are ideal for lighting in very high halls, or halls with high obstacles and or high machines.
- Luminaires in combination with wide beam reflectors are suited for relatively low halls and areas where vertical illuminance is required.
- Luminaires in combination with acrylic refractors are ideal when a percentage (up to 20%) of uplighting is required.
- Each reflector can be fitted with a glass-dust cover for applications industry and humid areas.

H/M/SDK 900

Dimensions in mm



ZDK 204	8216 903 20441	IP 65 glass cover for ZDK 209
ZDK 205	8216 903 20541	IP 65 glass cover for ZDK 207
ZDK 207	8216 903 20741	Narrow beam reflector
ZDK 209	8216 903 20941	Wide beam reflector
Mounting hook	4416 101 15430	Mounting hook for Phoenix
Mounting hook IP 65	4416 101 17480	IP 65 mounting hook for Phoenix
Cable gland IP 65	4422 001 00831	Cable gland for mounting hook
Adaptor	4416 101 16361	Adaptor for acrylic reflector

Materials and finish

The Phoenix range consists of an aluminium gearhousing, mounting cups and a mounting plate. The compact and sturdy luminaire is made of high grade die cast aluminium (very low cu content). The gearhousing closed with stainless steel clips.

Installation and mounting

The luminaire can be mounted by hook, pipe, tanchion or directly to the ceiling. Mains cable entry is made through the mounting system.

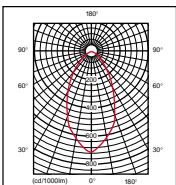
Accessories

Narrow and wide beam reflectors.
 Acrylic reflectors.
 Glass cover for reflectors (HPI-T lamps).
 Mounting hook for H/M/SDK 900.
 Cable gland for mounting hook.
 Adaptor for acrylic reflector.

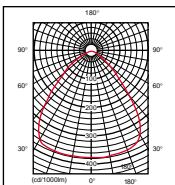


PHILIPS

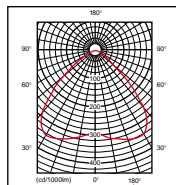
MDK 900 6.05d1A



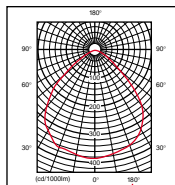
MDK 900 6.05d1B



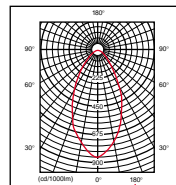
MDK 900 6.05d1C



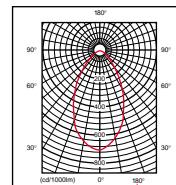
MDK 900 6.05d1D



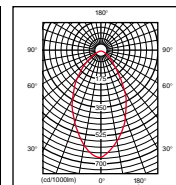
MDK 900 6.05d2A



MDK 900 6.05d2B



MDK 900 6.05d2C



Type	Lamp	Packing dimensions box (mm)	Weight (kg)	Ordering number
HDK 900/250	HPLN 250 W, 230V 50Hz		6.3	9104 012 86441
HDK 900/250	HPLN 250 W, 220V 60Hz		6.3	9104 012 40341
HDK 900/400	HPLN 400 W, 230V 50Hz		7.2	9104 012 86541
HDK 900/400	HPLN 400 W, 220V 60Hz		7.2	9104 012 40641
SDK 900/150	SON 150 W, 230V 50Hz		6.3	9104 012 86741
SDK 900/150	SON 150 W, 220V 50Hz		6.3	9104 012 41241
SDK 900/250	SON 250 W, 230V 50Hz		7.3	9104 012 86841
SDK 900/250	SON 250 W, 220V 50Hz		7.3	9104 012 41541
SDK 900/400	SON 400 W, 230V 50Hz		8.3	9104 012 86941
SDK 900/400	SON 400 W, 220V 50Hz		8.3	9104 012 41841
MDK 900/250	HPI BU 250 W, 230V 50Hz		6.3	9104 012 86641
MDK 900/250	HPI BU 250 W, 220V 50Hz		6.3	9104 012 40941
MDK 900/400	HPI BU 400 W, 230V 50Hz		7.2	9104 012 86541
MDK 900/400	HPI-BU 400 W, 220V 60Hz		7.2	9104 012 40641
KDK 900	55W			8216 095 02841
KDK 900	85W			8216 095 01241

