



MASTER LEDspot LV AR111 – Ideal solution for spot lighting in shops

MASTER LEDspot LV AR111

Delivering a warm, halogen-like accent beam, MASTER LEDspot LV AR111 is an ideal retrofit solution for spot and general lighting applications in the hospitality and retail industry. It is particularly suitable for general lighting where the light is on all the time, such as creative accent lighting applications in shops, restaurants, hotels, and especially for galleries, exhibitions and museums. The robustly designed MASTER LEDspot LV AR111 offers various beam angles for a clearly defined beam spread. There is no UV or IR in the beam, making it suitable for illuminating heat-sensitive objects (food, organic materials, paintings, etc.). The patented intelligent driver enables broad compatibility with existing electromagnetic and electronic halogen transformers. MASTER LEDspot LV AR111 delivers huge energy savings and minimises maintenance cost without any reduction in brightness.

Benefits

- Up to 80% energy saving compared with halogen lamps
- Broad compatibility with transformers
- Retrofittable

Features

- Patented intelligent driver
- Lifetime of 45,000 hours
- Low energy consumption
- Clearly defined beam spread
- UV- and IR-free light for less heat and protection for heat-sensitive objects

MASTER LEDspot LV AR111

Application

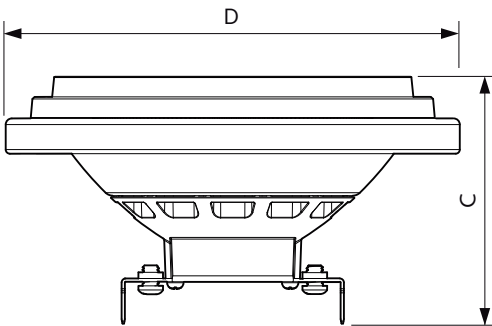
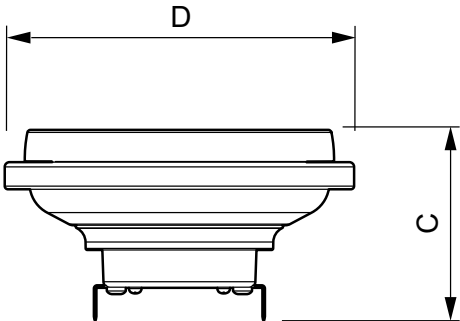
- Shops, hotels, restaurants, bars, cafés
- Galleries, museums, exhibitions, lobbies, corridors, stairwells, washrooms, reception areas

Versions



G53

Dimensional drawing



Product

MAS LEDspotLV D 20-100W 830 AR111 12D

Product

MAS LEDspotLV D 20-100W 840 AR111 24D

D C

111 mm 62 mm

MASTER LEDspot LV AR111

Approval and Application

Energy Consumption kWh/1000 h 22 kWh

Controls and Dimming

Dimmable Yes

Operating and Electrical

Input Frequency - Hz
 Voltage (Nom) 12 V
 Wattage Equivalent 100 W
 Power (Rated) (Nom) 20 W

General Information

Cap-Base G53
 Nominal Lifetime (Nom) 25000 h
 Switching Cycle 50,000X

Light Technical

Colour Rendering Index (Nom) 80
 Llmf At End Of Nominal Lifetime (Nom) 70 %

Mechanical and Housing

Bulb Shape AR111

Temperature

T-Case Maximum (Nom) 80 °C

Operating and Electrical

Order Code	Full Product Name	Starting Time (Nom)
929001170608	MAS LEDspotLV D 20-100W 830 AR111 12D	0.5 s
929001171008	MAS LEDspotLV D 20-100W 840 AR111 24D	-

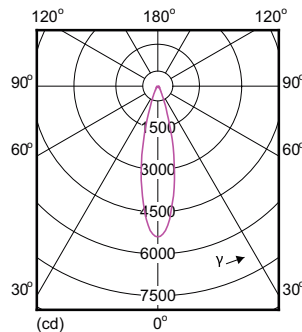
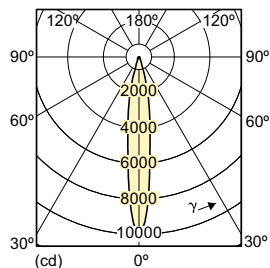
Light Technical (1/2)

Order Code	Full Product Name	Beam Angle (Nom)	Colour Code	Correlated Colour	
				Temperature (Nom)	Luminous Flux (Nom)
929001170608	MAS LEDspotLV D 20-100W 830 AR111 12D	12 °	830	3000 K	1350 lm

Order Code	Full Product Name	Beam Angle (Nom)	Colour Code	Correlated Colour	
				Temperature (Nom)	Luminous Flux (Nom)
929001171008	MAS LEDspotLV D 20-100W 840 AR111 24D	24 °	840	4000 K	1400 lm

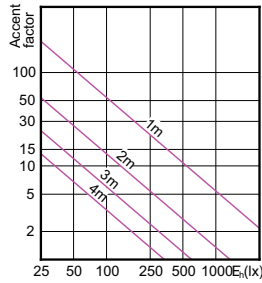
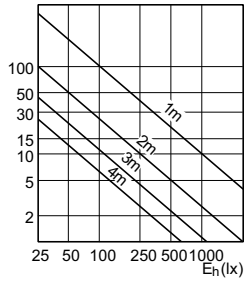
Light Technical (2/2)

Order Code	Full Product Name	Luminous Intensity (Nom)
929001170608	MAS LEDspotLV D 20-100W 830 AR111 12D	10000 cd
929001171008	MAS LEDspotLV D 20-100W 840 AR111 24D	6100 cd



MASTER LEDspot LV AR111

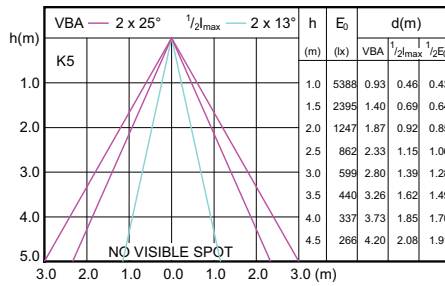
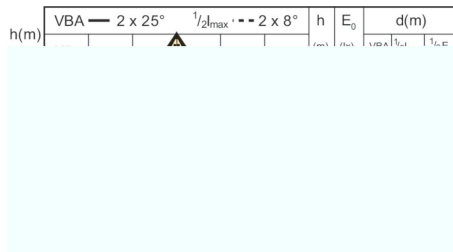
Accent Diagrams



SDAC_LEDspotL_0143-Accent diagram

MASTER LEDspotLV 20-100W AR111
G53_4000K 1400lm 24D

Beam Diagrams



SDBE_LEDspotL_0143-Beam diagram

MASTER LEDspotLV 20-100W AR111
G53_4000K 1400lm 24D

