



# GreenPerformance Troffer

## SM100C LED37S 840 W30L120 PSD G3

Variable linear-lens array in polycarbonate cover

GreenPerform Troffer improves the compact design of the last generation with performance improvement and more variants for different markets. Integrates with all available systems: POE, InterAct office wireless, InterAct Office Pro, ActiLume controller. GreenPerform Troffer offers additional energy saving and connected features.

### Product data

General Information		Operating and Electrical	
Lamp colour code	840 neutral white	Light source engine type	LED
Light source replaceable	No	Input Voltage	220 to 240 V
Number of gear units	1 unit	Input frequency	50 to 60 Hz
Driver included	Yes	Inrush current	21 A
Optical cover/lens type	VAR-PC [ Variable linear-lens array in polycarbonate cover]	Inrush time	280 ms
Control interface	DALI	Power factor (min.)	0.9
Protection class IEC	Safety class I (I)	Controls and Dimming	
Glow-wire test	60030 [ Temperature 600 °C, duration 30 s]	Dimmable	Yes
Flammability mark	F [ For mounting on normally flammable surfaces]	Mechanical and Housing	
CE mark	CE mark	Housing material	Metal
Warranty period	3 years	Optic material	Polycarbonate
Constant light output	No	Optical cover/lens material	Polycarbonate
Number of products on MCB (16 A type B)	24	Fixation material	Steel

## GreenPerformance Troffer

Optical cover/lens finish	Ribbed
Overall length	1197 mm
Overall width	297 mm
Overall height	56 mm
Colour	White

### Approval and Application

Ingress protection code	IP20 [ Finger-protected]
Mech. impact protection code	IK03 [ 0.3 J]

### Initial Performance (IEC Compliant)

Initial luminous flux (system flux)	3700 lm
Luminous flux tolerance	+/-10%
Initial LED luminaire efficacy	116 lm/W
Lamp colour temperature	4000 K
Colour Rendering Index	80
Initial chromaticity	SDCM<4
Initial input power	32 W
Power consumption tolerance	+/-10%

### Over Time Performance (IEC Compliant)

Median useful life L70B50	50000 h
---------------------------	---------

### Application Conditions

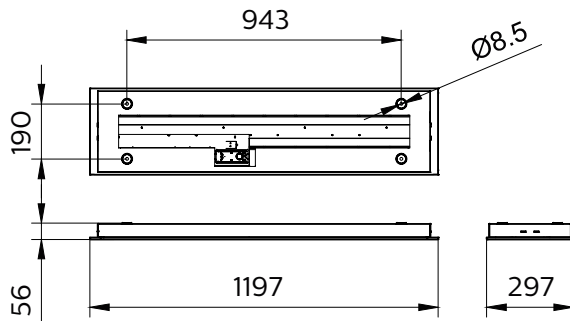
Ambient temperature range	-20 to +40 °C
Suitable for random switching	No

### Product Data

Full product code	911401519551
Order product name	SM100C LED375 840 W30L120 PSD G3
Order code	911401519551
SAP numerator – quantity per pack	1
Numerator – packs per outer box	2
SAP material	911401519551
SAP net weight (piece)	5.300 kg



## Dimensional drawing



RC100B GreenPerform Troffer

