



GreenUp Highbay G2

BY560X LED210/CW ACW2 IS WB CAU

865 cool daylight - Power supply unit with DALI interface - Wide beam

Height is not an issue any more, maximum 16 m movement detection together with the wireless ZigBee control, GreenUp HighBay G2, light up your space smartly.

Warnings and Safety

- The product is IPX0 & as such is not protected against water ingress and as such we strongly recommend that the environment in which the luminaire is to be installed is suitably checked
- If the above advice is not taken and the luminaires are subject to water ingress, Philips/Signify cannot guarantee safe failure and product warranty will become void

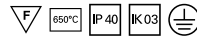
Product data

General Information			
Beam angle of light source	- °	Glow-wire test	650/5 [Temperature 650 °C, duration 5 s]
Lamp colour code	865 cool daylight	Flammability mark	F [For mounting on normally flammable surfaces]
Light source replaceable	No	CE mark	CE mark
Number of gear units	1 unit	ENEC mark	-
Driver/power unit/transformer	PSD [Power supply unit with DALI interface]	Warranty period	3 years
Driver included	Yes	Constant light output	No
Optic type	WB [Wide beam]	Number of products on MCB (16 A type B)	24
Optical cover/lens type	LIN-PC [Linear-lens array in polycarbonate cover]	Light source engine type	LED
Luminaire light beam spread	90°	Operating and Electrical	
Control interface	DALI	Input Voltage	220 to 240 V
Connection	No [-]	Input frequency	50 to 60 Hz
Cable	Cable 3.0 m with plug	Inrush current	5.1 A
Protection class IEC	Safety class I (I)	Inrush time	760 ms

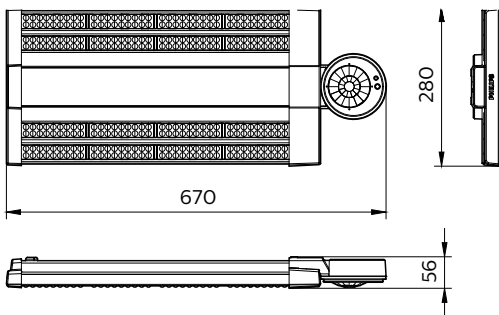
GreenUp Highway G2

Power factor (min.)	0.95
Controls and Dimming	
Dimmable	Wireless Dim
Mechanical and Housing	
Housing material	Aluminum extruded
Reflector material	-
Optic material	Polycarbonate
Optical cover/lens material	Polycarbonate
Fixation material	-
Optical cover/lens finish	Clear
Overall length	670 mm
Overall width	280 mm
Colour	Aluminium and White
Approval and Application	
Ingress protection code	IP40 [Wire-protected]
Mech. impact protection code	IK03 [0.3 J]
Initial Performance (IEC Compliant)	
Initial luminous flux (system flux)	21000 lm
Luminous flux tolerance	+/-10%
Initial LED luminaire efficacy	137 lm/W
Lamp colour temperature	6500 K
Colour Rendering Index	>80

Initial chromaticity	(0.313,0.324)SDCM<5
Initial input power	153 W
Power consumption tolerance	+/-10%
Over Time Performance (IEC Compliant)	
Median useful life L70B50	65000 h
Median useful life L80B50	45000 h
Median useful life L90B50	25000 h
Application Conditions	
Ambient temperature range	-20 to +45 °C
Maximum dimming level	1%
Suitable for random switching	Yes
Product Data	
Full product code	911401520551
Order product name	BY560X LED210/CW ACW2 IS WB CAU
Order code	911401520551
SAP numerator – quantity per pack	1
Numerator – packs per outer box	2
SAP material	911401520551
SAP net weight (piece)	3.499 kg



Dimensional drawing



GreenUp High-bay BY550P/BY550X

GreenUp Highbay G2

