



# LuxSpace G4

## DN589B LED10/830 PSD C D150 WH WB CAU

### Reflector

LuxSpace Gen4 is the a new LED downlight range combining light comfort and leading performance with luxury appearance

### Product data

General Information	
Lamp colour code	830 warm white
Light source replaceable	No
Number of gear units	1 unit
Driver/power unit/transformer	PSU-E [ Power supply unit external (PSU)]
Driver included	Yes
Optic type	Faceted reflector with beam angle 60°
Optical cover/lens type	Reflector
Control interface	DALI
Connection	C-2R [ Connector with 2 additional wires for light regulation]
Protection class IEC	Safety class II (II)
Glow-wire test	650/30 [ Temperature 650 °C, duration 30 s]
Flammability mark	F [ For mounting on normally flammable surfaces]
CE mark	CE mark
Warranty period	3 years
Constant light output	No
Number of products on MCB (16 A type B)	24
EU RoHS compliant	Yes
Light source engine type	LED

Operating and Electrical	
Input Voltage	220 to 240 V
Input frequency	50 or 60 Hz
Inrush current	16 A
Inrush time	0.22 ms
Power factor (min.)	0.9

Controls and Dimming	
Dimmable	Yes

Mechanical and Housing	
Housing material	Aluminum die-cast
Reflector material	Polycarbonate aluminum coated
Optic material	Polycarbonate
Optical cover/lens material	Polycarbonate
Fixation material	Steel
Optical cover/lens finish	Textured
Overall length	0 mm
Overall width	0 mm
Overall height	100 mm
Overall diameter	162 mm

# LuxSpace G4

Colour	White and black
--------	-----------------

## Approval and Application

Ingress protection code	IP20 [ Finger-protected]
Mech. impact protection code	IK03 [ 0.3 J]

## Initial Performance (IEC Compliant)

Initial luminous flux (system flux)	990 lm
Luminous flux tolerance	+/-10%
Initial LED luminaire efficacy	25 lm/W
Lamp colour temperature	3000 K
Colour Rendering Index	>80
Initial input power	39.7 W
Power consumption tolerance	+/-10%

## Over Time Performance (IEC Compliant)

Median useful life L70B50	50000 h
Median useful life L80B50	50000 h

Median useful life L90B50	21000 h
---------------------------	---------

## Application Conditions

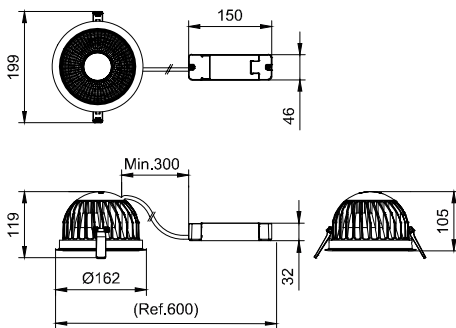
Ambient temperature range	-20 to +40 °C
Maximum dimming level	1%

## Product Data

Full product code	911401552041
Order product name	DN589B LED10/830 PSD C D150 WH WB CAU
Order code	911401552041
SAP numerator – quantity per pack	1
Numerator – packs per outer box	1
SAP material	911401552041
SAP net weight (piece)	0.799 kg



## Dimensional drawing



DN589B LED10/830 PSD C D150 WH WB CAU

