



GreenSpace G5

DN392B LED16/830 PSD D200 ALU CAU

Power supply unit with DALI interface - High-gloss high reflectance - Transparent bowl with white cover - 65°

GreenSpace Gen5 is a new LED downlight range combining light efficiency and comfort with product diversity and system compatibility

Product data

| General Information | |
|---|--|
| Beam angle of light source | 60° |
| Lamp colour code | 830 warm white |
| Light source replaceable | No |
| Number of gear units | 1 unit |
| Driver/power unit/transformer | PSD [Power supply unit with DALI interface] |
| Driver included | Yes |
| Optic type | C-H [High-gloss high reflectance] |
| Optical cover/lens type | TW [Transparent bowl with white cover] |
| Luminaire light beam spread | 65° |
| Control interface | DALI |
| Cable | Cord with plug |
| Protection class IEC | Safety class I (I) |
| Glow-wire test | 650/30 [Temperature 650 °C., duration 30 s] |
| Flammability mark | F [For mounting on normally flammable surfaces] |
| CE mark | CE mark |
| Warranty period | 3 years |
| Constant light output | No |
| Number of products on MCB (16 A type B) | 24 |

| Light source engine type | LED |
|-----------------------------|-------------------------------|
| Operating and Electrical | |
| Input Voltage | 220-240 V |
| Input frequency | 50 or 60 Hz |
| Inrush current | 20.4 A |
| Inrush time | 0.195 ms |
| Power factor (min.) | 0.95 |
| Controls and Dimming | |
| Dimmable | Yes |
| Mechanical and Housing | |
| Housing material | Aluminum die-cast |
| Reflector material | Polycarbonate aluminum coated |
| Optic material | Polycarbonate |
| Optical cover/lens material | Polycarbonate |
| Optical cover/lens finish | Matte |
| Overall length | 0 mm |
| Overall width | 0 mm |
| Overall height | 108 mm |

GreenSpace G5

| | |
|------------------|-----------------|
| Overall diameter | 216 mm |
| Colour | Black and White |

Approval and Application

| | |
|------------------------------|--------------------------|
| Ingress protection code | IP20 [Finger-protected] |
| Mech. impact protection code | IK02 [0.2 J standard] |

Initial Performance (IEC Compliant)

| | |
|-------------------------------------|---------------------|
| Initial luminous flux (system flux) | 1500 lm |
| Luminous flux tolerance | +/-10% |
| Initial LED luminaire efficacy | 97 lm/W |
| Lamp colour temperature | 3000 K |
| Colour Rendering Index | >80 |
| Initial chromaticity | (0.44,0.403) SDCM<5 |
| Initial input power | 15.5 W |
| Power consumption tolerance | +/-10% |

Over Time Performance (IEC Compliant)

| | |
|---------------------------|---------|
| Median useful life L70B50 | 50000 h |
|---------------------------|---------|

| | |
|---------------------------|---------|
| Median useful life L80B50 | 43000 h |
| Median useful life L90B50 | 20000 h |

Application Conditions

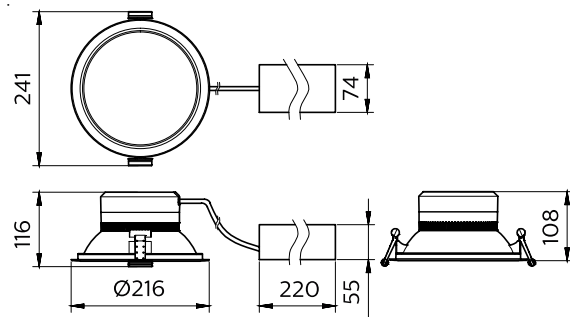
| | |
|---------------------------|---------------|
| Ambient temperature range | -20 to +40 °C |
|---------------------------|---------------|

Product Data

| | |
|-----------------------------------|-----------------------------------|
| Full product code | 911401584841 |
| Order product name | DN392B LED16/830 PSD D200 ALU CAU |
| Order code | 911401584841 |
| SAP numerator – quantity per pack | 1 |
| Numerator – packs per outer box | 1 |
| SAP material | 911401584841 |
| SAP net weight (piece) | 0.960 kg |



Dimensional drawing



DN39XN GreenSpace G5

