



# Tango G3 - BVP38x

## BVP383 LED506/NW 390W 220-240V AMB ANZ

Tango G3 - BVP38x - 50600 lm - 390 W - 4000 K

The energy-saving Philips Tango G3 LED Floodlight is the ideal solution for a wide range of Area lighting applications. It incorporates the LED light source, optical system, heat sink and driver into one compact and robust housing that meets globally recognised safety standards. Its specially designed heat sink incorporates aesthetics and functionality to ensure excellent reliability. Powered by LED technology, this luminaire delivers superior performance and a longer lifetime, bringing area lighting to a whole new level.

### Product data

| General Information      |  |
|--------------------------|--|
| Lamp colour code         | 740 neutral white                        |
| Driver included          | Yes                                      |
| Optical cover/lens type  | PC-MLO [ Polycarbonate micro lens optic] |
| Control interface        | -  |
| Connection               | Flying leads/wires                       |
| Cable                    | Cable 0.5 m without plug                 |
| Protection class IEC     | Safety class I (I)                       |
| CE mark                  | CE mark                                  |
| Operating and Electrical |  |
| Input Voltage            | 220 to 240 V                             |
| Input frequency          | 50 or 60 Hz                              |
| Power factor (min.)      | 0.9                                      |
| Controls and Dimming     |  |
| Dimmable                 | No                                       |

| Mechanical and Housing              |   |
|-------------------------------------|---|
| Housing material                    | Aluminum die-cast                             |
| Optical cover/lens material         | Polycarbonate                                 |
| Colour                              | Aluminium and Grey                            |
| Approval and Application            |   |
| Ingress protection code             | IP66 [ Dust penetration-protected, jet-proof] |
| Mech. impact protection code        | IK08 [ 5 J vandal-protected]                  |
| Initial Performance (IEC Compliant) |   |
| Initial luminous flux (system flux) | 50600 lm                                      |
| Luminous flux tolerance             | +/-10%  |
| Initial LED luminaire efficacy      | 134 lm/W                                      |
| Lamp colour temperature             | 4000 K  |
| Colour Rendering Index              | >70   |
| Initial input power                 | 390 W   |
| Power consumption tolerance         | +/-10%  |

# Tango G3 - BVP38x

## Application Conditions

Ambient temperature range -40 to +50 °C

## Product Data

|                    |  |
|--------------------|--|
| Full product code  | 911401612806                           |
| Order product name | BVP383 LED506/NW 390W 220-240V AMB ANZ |
| Order code         | 911401612806                           |
| Local order code   | BVP383L390WAMB                         |

SAP numerator – quantity per pack 1

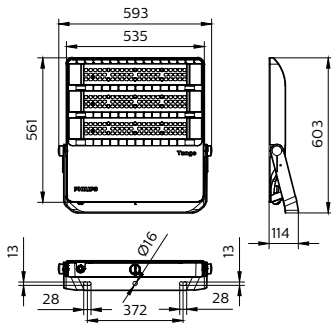
Numerator – packs per outer box 1

SAP material 911401612806

SAP net weight (piece) 12.499 kg



## Dimensional drawing



BVP38x Tango G3

