



Tango G3 - BVP38x

BVP382 LED260/NW 200W 220-240V AMB ANZ

Tango G3 - BVP38x - 26000 lm - 200 W - 4000 K

The energy-saving Philips Tango G3 LED Floodlight is the ideal solution for a wide range of Area lighting applications. It incorporates the LED light source, optical system, heat sink and driver into one compact and robust housing that meets globally recognised safety standards. Its specially designed heat sink incorporates aesthetics and functionality to ensure excellent reliability. Powered by LED technology, this luminaire delivers superior performance and a longer lifetime, bringing area lighting to a whole new level.

Product data

General Information			
Lamp family code	-	Constant light output	No
Lamp colour code	Neutral white	Number of products on MCB (16 A type B)	3
Light source replaceable	Yes	EU RoHS compliant	No
Number of gear units	-	Light source engine type	LED
Driver/power unit/transformer	PSU [Power supply unit]	Serviceability class	-
Driver included	Yes	Light Technical	
Optical cover/lens type	PC-MLO [Polycarbonate micro lens optic]	Standard tilt angle post-top	-
Luminaire light beam spread	40° x 80°	Standard tilt angle side entry	-
Control interface	-	Operating and Electrical	
Connection	Flying leads/wires	Input Voltage	220-240 V
Cable	Cable 1.5 m without plug (C1K5)	Input frequency	50 or 60 Hz
Protection class IEC	Safety class I (I)	Initial CLO power consumption	- W
Flammability mark	NO [-]	Average CLO power consumption	- W
CE mark	-	End CLO power consumption	- W
ENEC mark	-	Inrush current	92 A
Warranty period	3 years	Inrush time	0.44 ms
Optic type outdoor	Asymmetrical medium beam		

Tango G3 - BVP38x

Power factor (min.)	0.95
---------------------	------

Controls and Dimming

Dimmable	No
----------	----

Mechanical and Housing

Housing material	Aluminum die-cast
Reflector material	-
Optic material	Polycarbonate
Optical cover/lens material	Polycarbonate
Fixation material	Steel
Mounting device	MBA [Mounting bracket adjustable]
Optical cover/lens shape	-
Optical cover/lens finish	Frosted
Overall length	500 mm
Overall width	97 mm
Overall height	498 mm
Effective projected area	0.17 m ²
Colour	Aluminium and Grey

Approval and Application

Ingress protection code	IP66 [Dust penetration-protected, jet-proof]
Mech. impact protection code	IK08 [5 J vandal-protected]
Surge protection (common/differential)	Luminaire surge protection level up to 15 kV differential mode and 15 kV common mode

Initial Performance (IEC Compliant)

Initial luminous flux (system flux)	26000 lm
Luminous flux tolerance	+/-10%
Initial LED luminaire efficacy	130 lm/W
Lamp colour temperature	4000 K
Colour Rendering Index	70
Initial chromaticity	SDCM<=7
Initial input power	200 W
Power consumption tolerance	+/-10%

Application Conditions

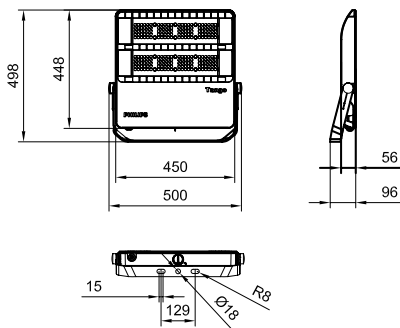
Ambient temperature range	-40 to +50 °C
Maximum dimming level	Not applicable

Product Data

Full product code	911401613305
Order product name	BVP382 LED260/NW 200W 220-240V AMB ANZ
Order code	911401613305
SAP numerator – quantity per pack	1
Numerator – packs per outer box	1
SAP material	911401613305
SAP net weight (piece)	7.999 kg



Dimensional drawing



BVP38x Tango G3

Tango G3 - BVP38x

