



# UNIUrban

## BSS461 LED120 NW 110-277V CLASSIC

UNIUrban - 12000 lm - 100 W - 4000 K

UNIUrban is ideal for urban lighting across pathways, parks, gardens, residential areas and shopping centre areas. Its exquisite, stylish yet classic design is not only suitable for modern cities but also for historical architecture.

### Product data

General Information	
Lamp colour code	Neutral white
Light source replaceable	No
Driver included	Yes
Optical cover/lens type	PC-MLO [ Polycarbonate micro lens optic]
Control interface	-
Connection	Flying leads/wires
Cable	Cord 0.6 m without plug
Protection class IEC	Safety class I (I)
Flammability mark	NO [ -]
CE mark	CE mark
Constant light output	No
Light source engine type	LED
Serviceability class	Class A, the luminaire is equipped with serviceable parts (when applicable): LED board, driver, control units, surge-protection device, optics, front cover and mechanical parts
Light Technical	
Standard tilt angle post-top	-

Operating and Electrical	
Input Voltage	110 to 277 V
Input frequency	50 to 60 Hz
Power factor (min.)	0.95
Controls and Dimming	
Dimmable	No
Mechanical and Housing	
Housing material	Aluminium
Optical cover/lens material	Tempered glass
Mounting device	Catenary pole 35 mm with Ø 10 mm hole
Optical cover/lens finish	Clear
Overall height	371 mm
Overall diameter	482 mm
Colour	Grey
Approval and Application	
Ingress protection code	IP65 [ Dust penetration-protected, jet-proof]
Mech. impact protection code	IK08 [ 5 J vandal-protected]

## Initial Performance (IEC Compliant)

Initial luminous flux (system flux)	12000 lm
Luminous flux tolerance	+/-10%
Initial LED luminaire efficacy	120 lm/W
Lamp colour temperature	4000 K
Colour Rendering Index	≥70
Initial input power	100 W
Power consumption tolerance	+/-10%

## Application Conditions

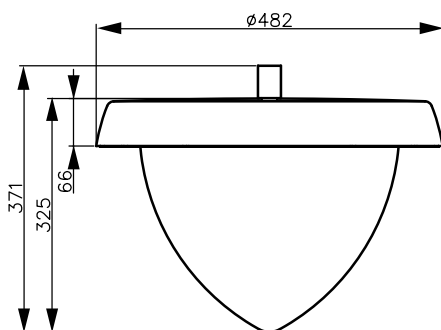
Ambient temperature range	-40 to +50 °C
---------------------------	---------------

## Product Data

Full product code	911401727792
Order product name	BSS461 LED120 NW 110-277V CLASSIC
Order code	911401727792
Local order code	USCLED120NW
SAP numerator – quantity per pack	1
Numerator – packs per outer box	1
SAP material	911401727792
SAP net weight (piece)	8.449 kg



## Dimensional drawing



UNIUrban BDP461/BGP461/BSP461/BSS461

