



GreenPerform Panel

SP160P LED40S 840 W60L120 PSU OC CAU

Acrylate cover and semi-matt high-reflective optic -

GreenPerform Panel RC160 is a slim panel with high efficacy in the market. It offers two lumen options with four dimension types, 200X1200, 300X1200, 600x600,600x1200 and three mounting options, recessed, suspended and plaster ceiling. It also offers connectivity like the system of Interact Office, POE, tunable white.

Product data

General Information	
Lamp colour code	840 neutral white
Optical cover/lens type	Acrylate cover and semi-matt high-reflective optic
Control interface	-
Protection class IEC	Safety class III (III)
CE mark	CE mark
Number of products on MCB (16 A type B)	30
Light source engine type	LED
Operating and Electrical	
Input Voltage	220 to 240 V
Input frequency	50 or 60 Hz
Power factor (min.)	0.9
Controls and Dimming	
Dimmable	No
Mechanical and Housing	
Housing material	Aluminum extruded

Optical cover/lens material	Acrylate and polycarbonate
Optical cover/lens finish	Matte
Overall length	1200 mm
Overall width	600 mm
Overall height	30 mm
Colour	White
Approval and Application	
Ingress protection code	IP20 [Finger-protected]
Mech. impact protection code	-
Initial Performance (IEC Compliant)	
Initial luminous flux (system flux)	4000 lm
Luminous flux tolerance	+/-10%
Initial LED luminaire efficacy	110 lm/W
Lamp colour temperature	4000 K
Colour Rendering Index	>80
Initial input power	36 W
Power consumption tolerance	+/-10%

GreenPerform Panel

Over Time Performance (IEC Compliant)

Median useful life L80B50 50000 h

Application Conditions

Ambient temperature range -20 to +45 °C

Product Data

Full product code 911401738092

Order product name SP160P LED40S 840 W60L120 PSU OC CAU

Order code 911401738092

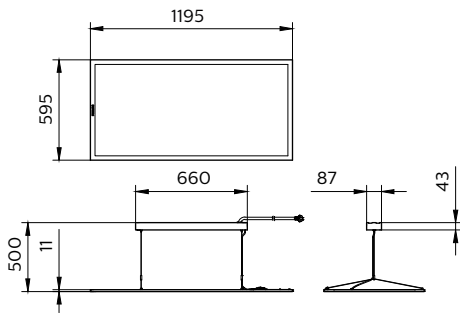
SAP numerator – quantity per pack 1

Numerator – packs per outer box 2

SAP material 911401738092

SAP net weight (piece) 5.250 kg

Dimensional drawing



SP160P LED40S 840 W60L120 PSU OC CAU

