



Dynalite Network Accessories

DDNP1501

15 V DC 1.5 A regulated power supply to supplement the DyNet network DC supply.

15 V DC 1.5 A regulated power supply to supplement the DyNet network DC supply.

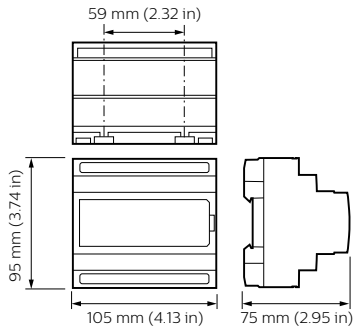
Product data

| General Information | |
|---------------------------|---|
| CE mark | CE mark |
| Remarks | Please download the Lighting - Product Data Sheet for more information and ordering options |
| EU RoHS compliant | Yes |
| Application Conditions | |
| Ambient temperature range | 0 to +40 °C |
| Product Data | |
| Full product code | 871016350806100 |

| | |
|-----------------------------------|---------------|
| Order product name | DDNP1501 |
| EAN/UPC – product | 8710163508061 |
| Order code | 913703090309 |
| SAP numerator – quantity per pack | 1 |
| Numerator – packs per outer box | 1 |
| SAP material | 913703090309 |
| SAP net weight (piece) | 0.200 kg |

Dynalite Network Accessories

Dimensional drawing



Dynalite Network Accessories

