



Dynalite Signal Dimmer Controllers

DDBC120-DALI

Signal Dimmer Controller up to 64 DALI lamp drivers and 10 DALI sensors/switches.

Signal Dimmer Controller up to 64 DALI lamp drivers and 10 DALI sensors/switches.

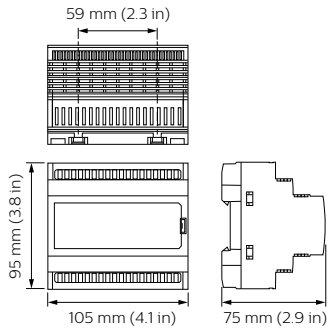
Product data

General Information	
CE mark	CE mark
Remarks	Please download the Lighting - Product Data Sheet for more information and ordering options
EU RoHS compliant	Yes
Application Conditions	
Ambient temperature range	0 to +40 °C
Product Data	
Full product code	871869688704200

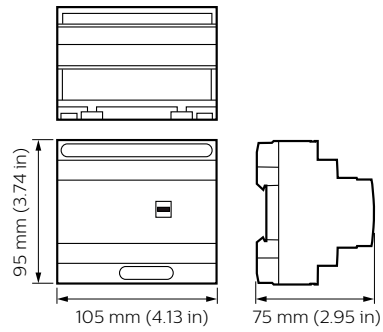
Order product name	DDBC120-DALI
EAN/UPC – product	8718696887042
Order code	913703685109
SAP numerator – quantity per pack	1
Numerator – packs per outer box	1
SAP material	913703685109
SAP net weight (piece)	203.000 g

Dynalite Signal Dimmer Controllers

Dimensional drawing



DDBC120-DALI



DDBC120-DALI

