



CorePro LED PLC 2P

LED PLC 6.5W 840 2P G24d-2

The CorePro LED PLC 2P integrates a LED light source into a traditional fluorescent form factor. This product is the ideal solution for uplampping in general lighting applications: it meets basic lighting requirements, offers significant energy savings and is environmentally friendly.

Product data

General Information	
Cap base	G24D-2 [G24d-2]
EU RoHS compliant	Yes
Nominal lifetime (nom.)	30000 h
Switching cycle	50,000X
Light Technical	
Colour Code	840 [CCT of 4,000 K]
Technical Beam Angle (Nom)	120 °
Lamp Luminous Flux 25°C EL (Nom)	700 lm
Colour Designation	Cool White (CW)
Colour Temperature, horizontal (Nom)	4000 K
Lamp Luminous Efficacy EM (Nom)	107.00 lm/W
Colour consistency	<6
Colour Rendering Index,horiz (Nom)	83
LLMF at end of nominal lifetime (nom.)	70 %
Operating and Electrical	
Input frequency	50 to 60 Hz
Power (Rated) (Nom)	6.5 W
Lamp current (max.)	35 mA
Lamp current (min.)	25 mA
Starting time (nom.)	0.5 s

Warm-up time to 60% light (nom.)	0.5 s
Power factor (nom.)	0.9
Voltage (Nom)	220-240 V
Temperature	
T-ambient (max.)	35 °C
T-ambient (min.)	-20 °C
T storage (max.)	65 °C
T storage (min.)	-40 °C
T-Case maximum (nom.)	65 °C
Controls and Dimming	
Dimmable	No
Mechanical and Housing	
Product length	100 mm
Approval and Application	
Energy efficiency label (EEL)	A+
Energy-saving product	Yes
Approval marks	CE marking
Energy consumption kWh/1,000 hours	9 kWh

CorePro LED PLC 2P

Product Data

Full product code	871869667005700
Order product name	LED PLC 6.5W 840 2P G24d-2
EAN/UPC – product	8718696670057
Order code	929001201508
SAP numerator – quantity per pack	1

Numerator – packs per outer box	10
Material no. (12 NC)	929001201508
SAP net weight (piece)	0.077 kg

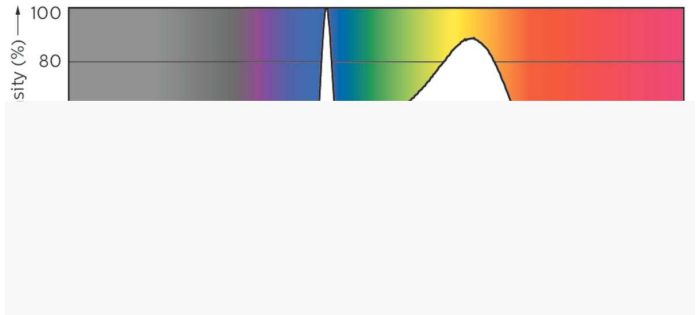
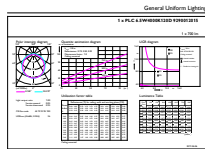
Dimensional drawing



Product	D1	D2	A1	A2	A3
LED PLC 6.5W 840 2P G24d-2	24.3 mm	28.4 mm	105.8 mm	125 mm	147.6 mm

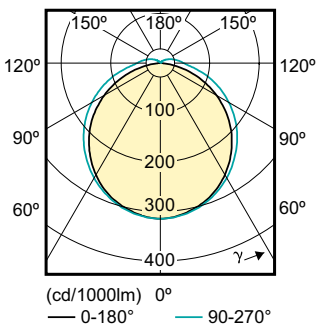
LEDtube PLC 6.5W G24d-2/840 2P

Photometric data



LEDtube PLC 100mm 7W G24D-2 840 700lm

LEDtube PLC 100mm 9W G24Q-3 840 1000lm



CorePro LED PLC 2P

Lifetime



LEDtube PLC 100mm 7W G24D-2 830 650lm

LEDtube PLC 100mm 7W G24D-2 830 650lm



LEDtube PLC 100mm 7W G24D-2 830 650lm

LEDtube PLC 100mm 7W G24D-2 830 650lm



LEDtube PLC 100mm 7W G24D-2 830 650lm

CorePro LED PLC 2P

