



MASTER LEDspot ExpertColor LV

MASTER LED MR16 ExpertColor 7.2-50W 940 24D

MASTER LEDspot LV ExpertColor creates a warm and comfortable ambience for hospitality venues, homes and restaurants. It creates such an ambience with superior lighting that has a customised spectrum, high CRI and deep dimming feature. The result? A beautiful lighting experience. What's more, the innovative, trimless lens design will suit almost any interior decor with its clean and neat look. In addition, you can take advantage of the full ExpertColor family, which also includes LEDspot MV and LEDspot Par lamps.

Product data

| General Information | | LLMF at end of nominal lifetime (nom.) 70 % | |
|--------------------------------------|-----------------------|---|--------|
| Cap base | GU5.3 [GU5.3] | | |
| EU RoHS compliant | Yes | Operating and Electrical | |
| Nominal lifetime (nom.) | 40000 h | Input frequency | - Hz |
| Switching cycle | 50,000X | Power (Rated) (Nom) | 7.2 W |
| Technical type | 7.2-50W | Lamp current (nom.) | 800 mA |
| Light Technical | | Wattage equivalent | 50 W |
| Colour Code | 940 [CCT of 4,000 K] | Starting time (nom.) | 0.5 s |
| Technical Beam Angle (Nom) | 24 ° | Warm-up time to 60% light (nom.) | 1 s |
| Lamp Luminous Flux 25°C EL (Nom) | 480 lm | Power factor (nom.) | 0.7 |
| Luminous intensity (nom.) | 2400 cd | Voltage (Nom) | 12 V |
| Colour Designation | Cool White (CW) | Temperature | |
| Colour Temperature, horizontal (Nom) | 4000 K | T-Case maximum (nom.) | 92 °C |
| Lamp Luminous Efficacy EM (Nom) | 66.67 lm/W | Controls and Dimming | |
| Colour consistency | <3 | Dimmable | Yes |
| Colour Rendering Index,horiz (Nom) | 97 | | |

MASTER LEDspot ExpertColor LV

Mechanical and Housing

Bulb shape MR16 [2inch/50mm]

Approval and Application

Energy-saving product Yes

Suitable for accent lighting Yes

Energy consumption kWh/1,000 hours - kWh

Product Data

Full product code 871869657181100

Order product name MASTER LED MR16 ExpertColor 7.2-50W 940 24D

EAN/UPC – product 8718696571811

Order code 929001242408

Local order code MEC510LMR1624D

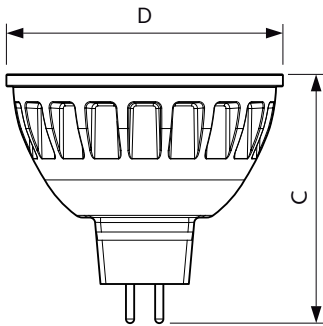
SAP numerator – quantity per pack 1

Numerator – packs per outer box 10

SAP material 929001242408

SAP net weight (piece) 0.034 kg

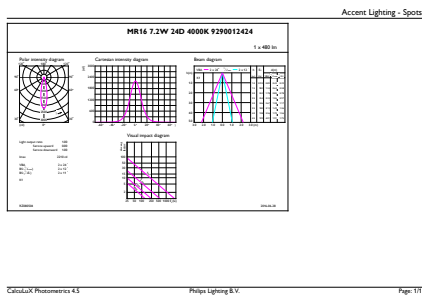
Dimensional drawing



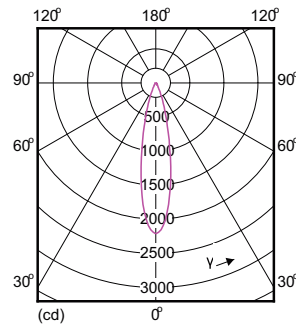
MR16 12V 7.2-50W 420lm 24D 4000K GU5.3 D

| Product | D | C |
|---|-------|-------|
| MASTER LED MR16 ExpertColor 7.2-50W 940 24D | 51 mm | 46 mm |

Photometric data



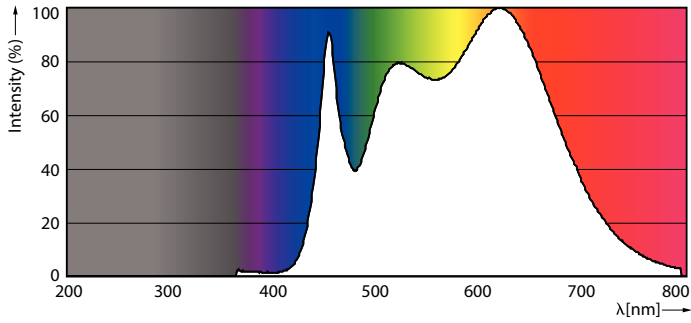
MAS LED ExpertColor 7.2-50W MR16 GU5.3 940 24D



MAS LED ExpertColor 7.2-50W MR16 GU5.3 940 24D

MASTER LEDspot ExpertColor LV

Photometric data



LEDspot 7.2W MR16 940 10-24D ExpertColor

