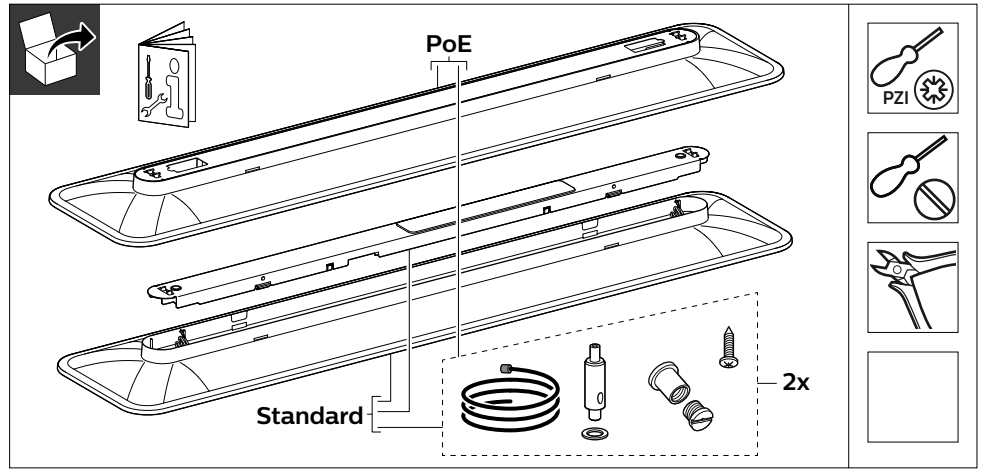


# PHILIPS

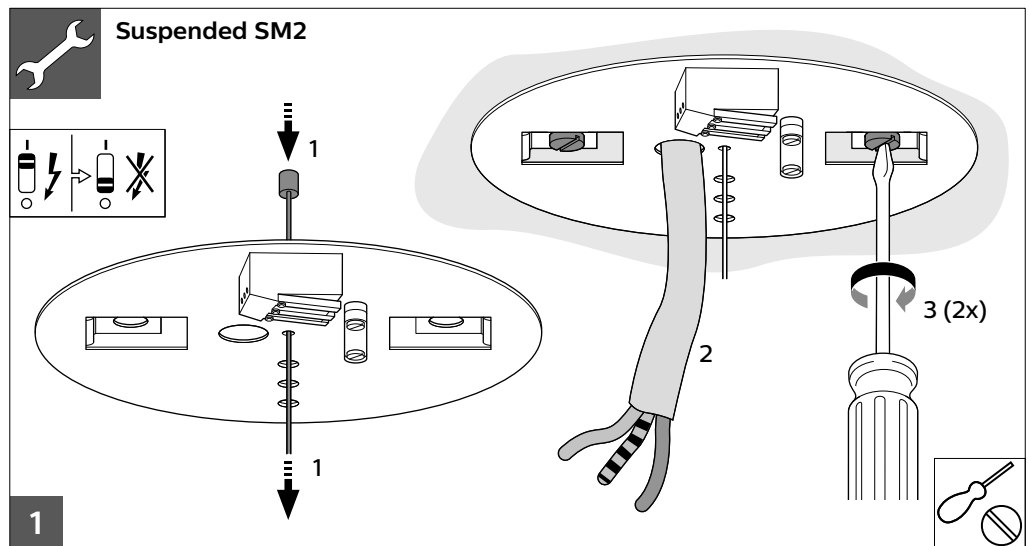
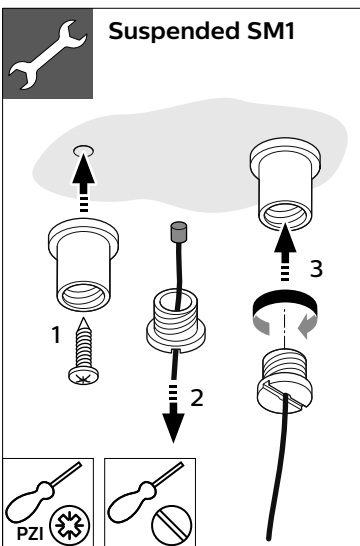
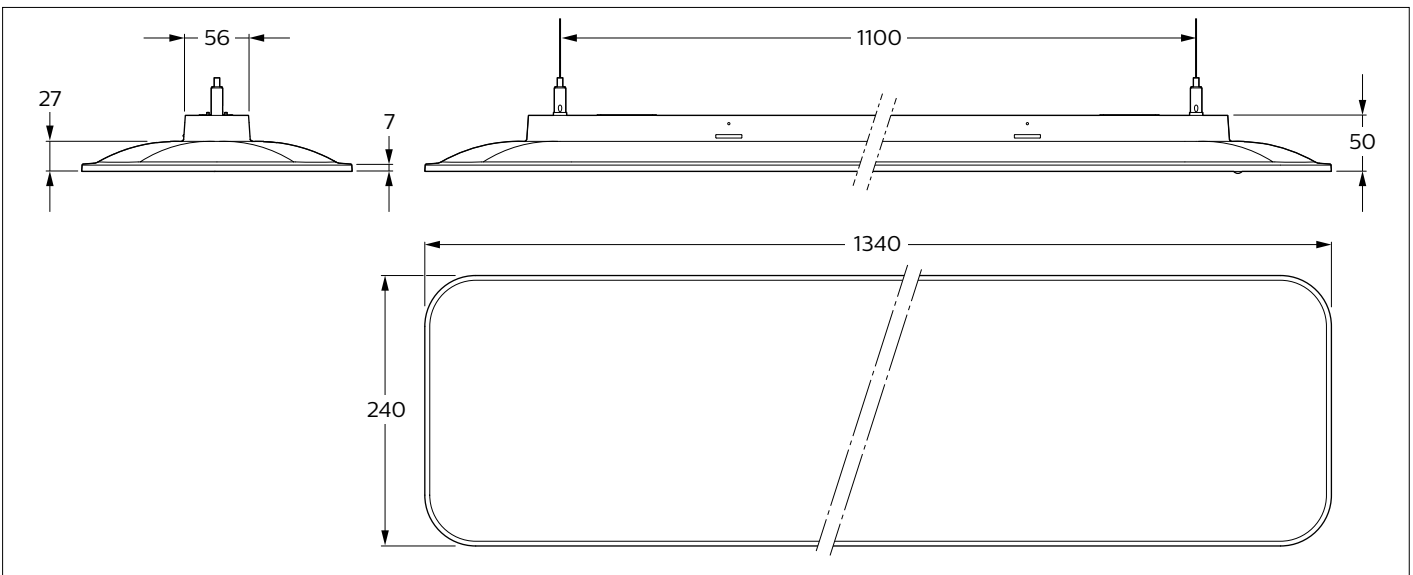
Smart Balance

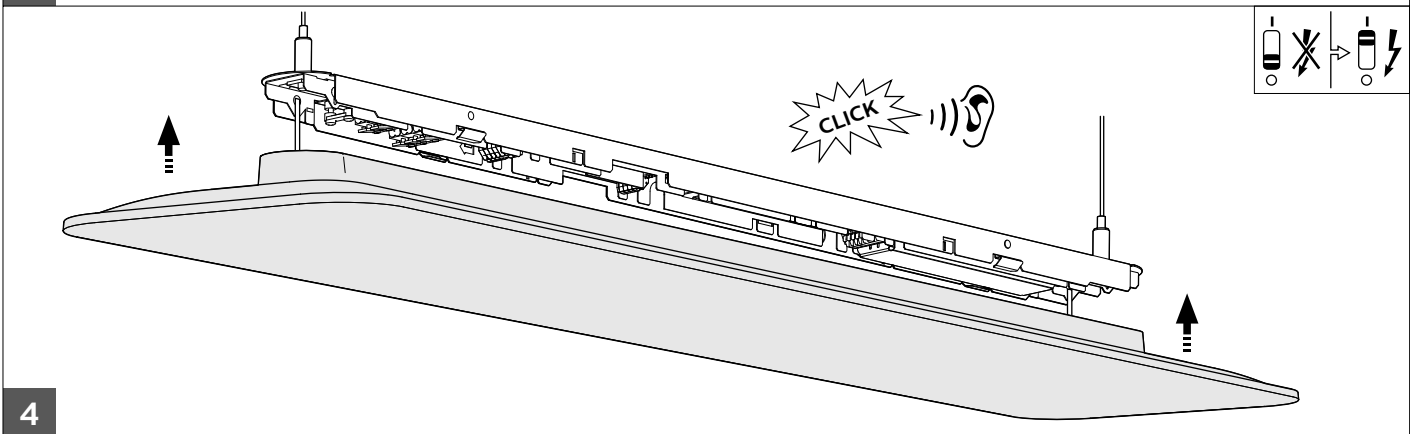
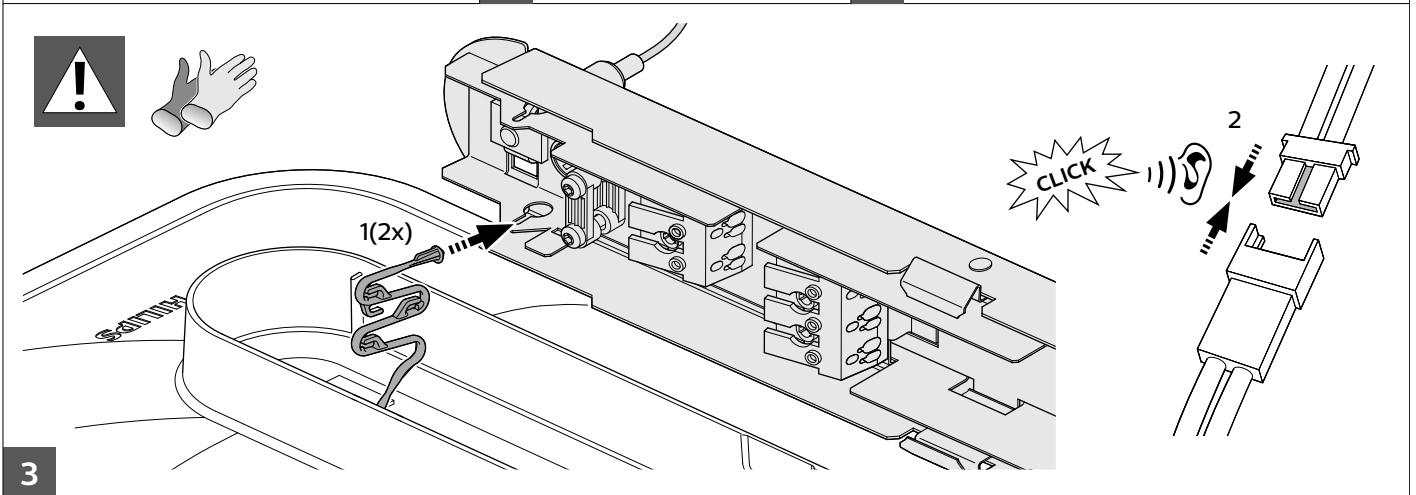
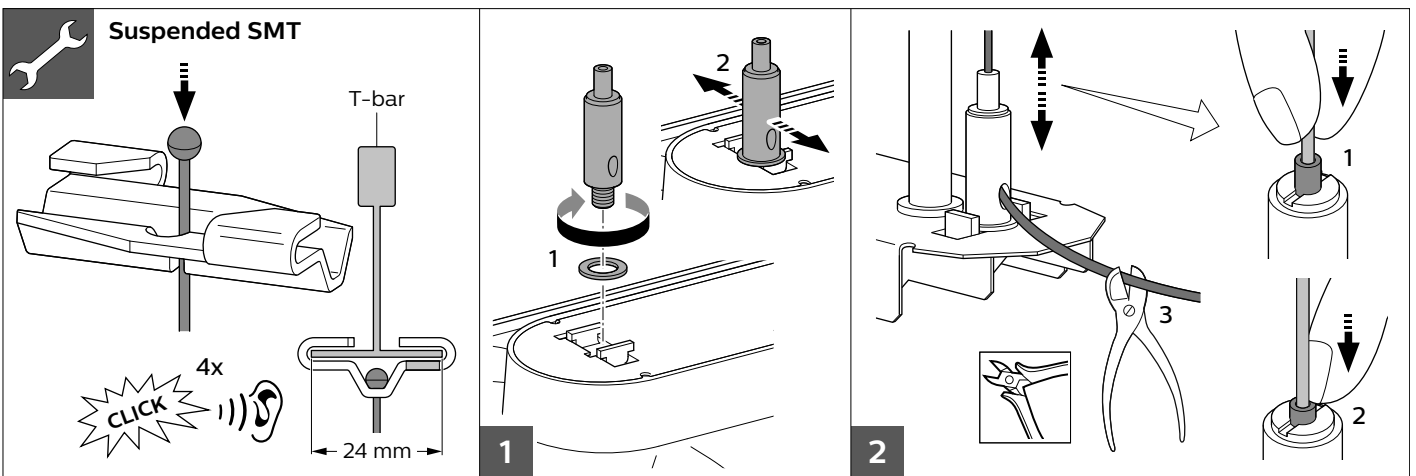
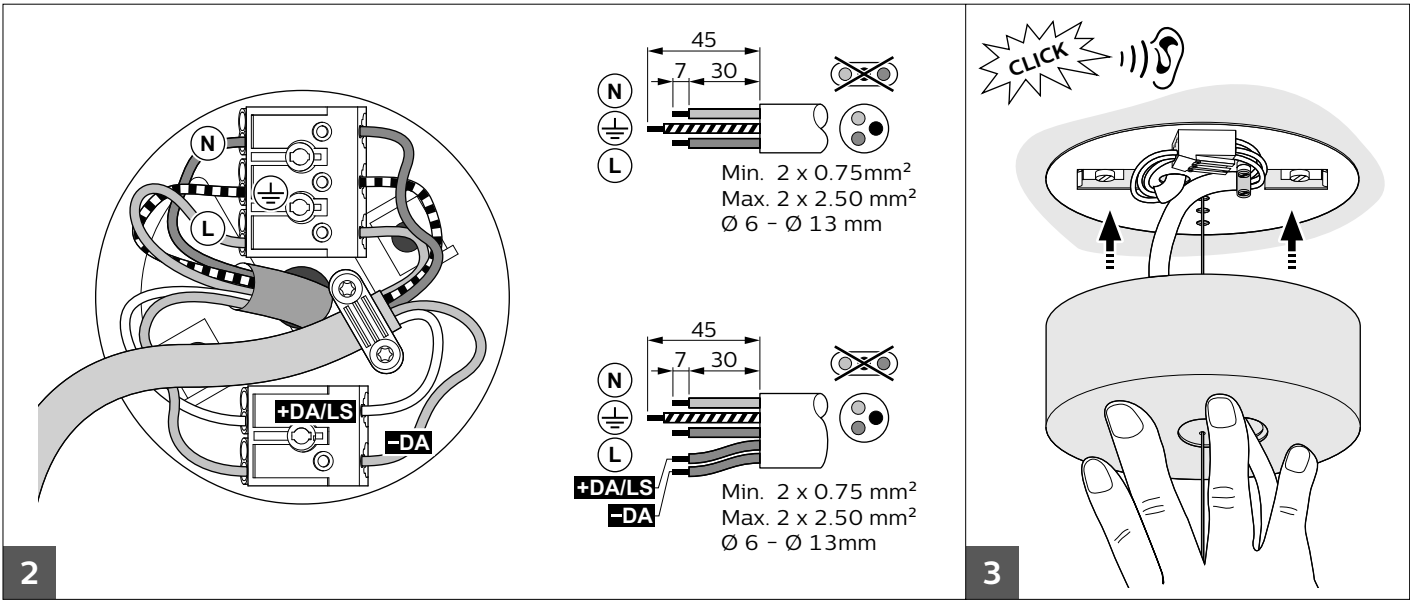
SP480P/SP482P



			220V 240V	50Hz 60Hz	IP40	IK02	GLOW WIRE 650 °C	Max. 40 °C Min. 10 °C				
--	--	--	--------------	--------------	------	------	---------------------	--------------------------	--	--	--	--

SP480P	4.5
SP482P	4.5

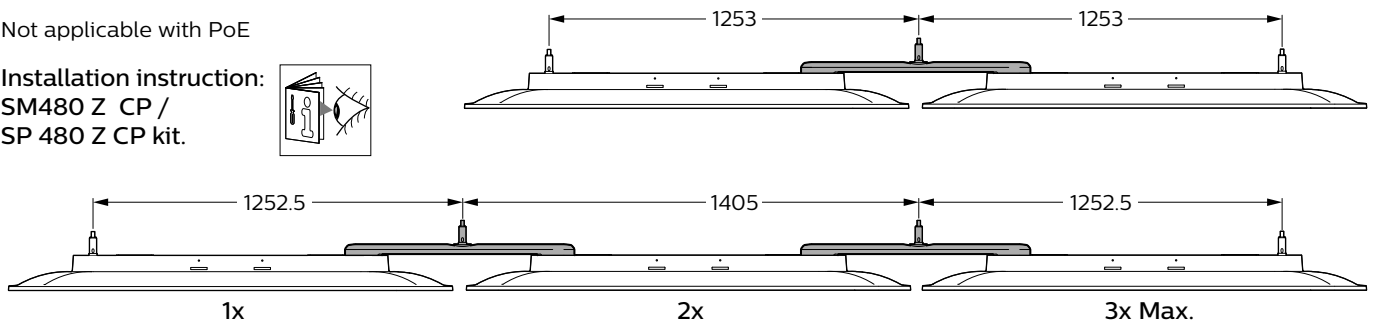




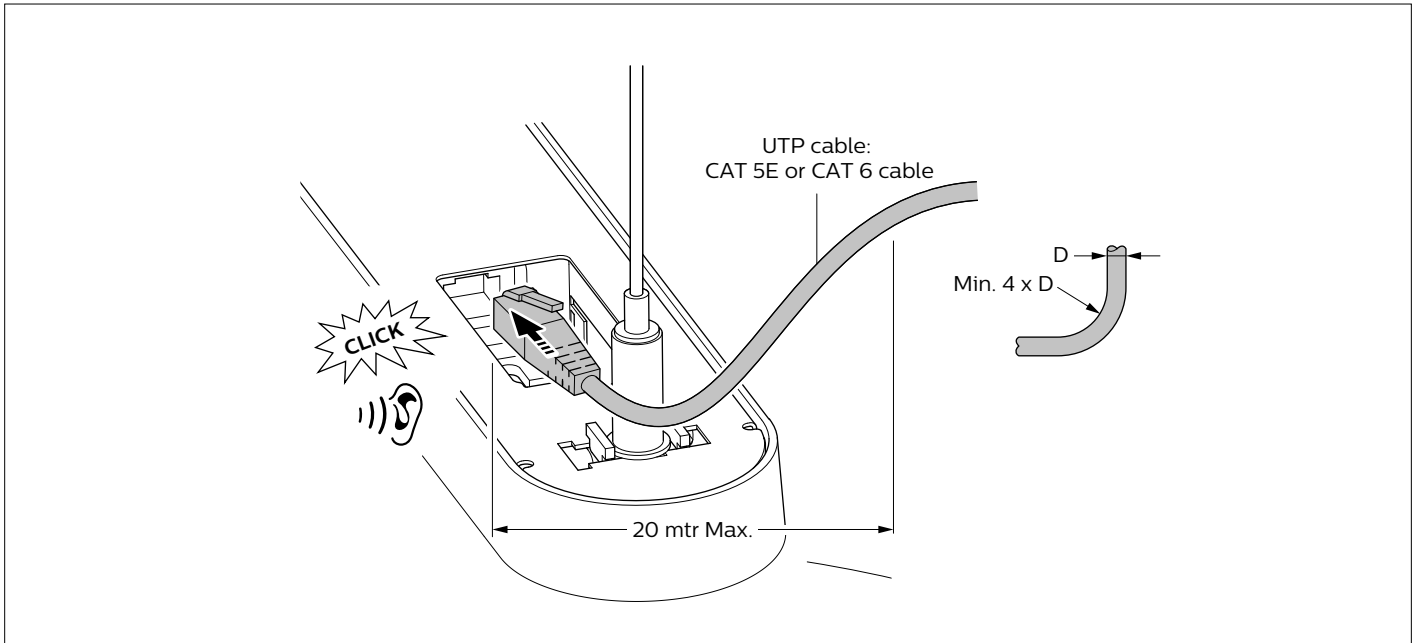
### Coupling piece

Not applicable with PoE

Installation instruction:  
SM480 Z CP /  
SP 480 Z CP kit.



### PoE



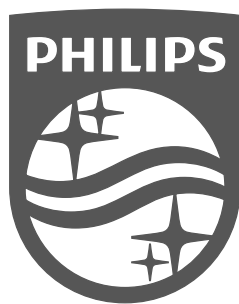
**ATTENTION**  
OBSERVE PRECAUTIONS  
FOR HANDLING  
ELECTROSTATIC  
SENSITIVE  
DEVICES

**ACL**  
versions only

#### Inrush current

	Xitanium 200V TD 230V
	75W
	Electrical characteristics
I <sub>max</sub> (A)	48
T <sub>ref</sub> (μs)	180
EL I max. (mA)	0,7
	Luminaires Max.
MCB (16A-B)	20
EL CB 30mA	30

EL = Earth leakage



© 2017 Koninklijke Philips N.V.

All rights reserved. Reproduction in whole or in part is prohibited without the prior written consent of the copyright owner. The information presented in this document does not form part of any quotation or contract, is believed to be accurate and reliable and may be changed without notice. No liability will be accepted by the publisher for any consequence of its use. Publication thereof does not convey nor imply any license under patent- or other industrial or intellectual property rights.

Philips Lighting B.V.  
The Netherlands