



SmartBalance, surface mounted

SM480C LED35S/930 PSD ACC-MLO WH

SmartBalance Surface Mounted - LED Module, system flux 3500 lm - 930 warm white - Power supply unit with DALI interface - Acrylate micro-lens optic clear

Although in many cases the functional lighting performance is key, customers are also keen to apply luminaires that are attractive and/or unobtrusive. Especially in applications where luminaires need to be surface-mounted or suspended, it can be difficult to satisfy both these requirements. SmartBalance is clearly the next step in surface-mounted and suspended luminaires for the specification market. It not only offers increased energy efficiency, but is also visually appealing without being intrusive. And its design helps to minimize clutter on the ceiling and meets all relevant office norms. SmartBalance is also available in recessed and free floor-standing versions.

Warnings and Safety

- The product is IPX0 and as such is not protected against water ingress, so we strongly recommend that the environment in which the luminaire is to be installed is suitably checked
- If the above advice is not taken and the luminaires are subject to water ingress, Philips/Signify cannot guarantee safe use and the product warranty will become void

Product data

General information			
Number of light sources	1 [1 pc]	Lamp colour code	930 warm white
Lamp family code	LED35S [LED Module, system flux 3500 lm]	Cap base	- [-]
Beam angle of light source	- °	Light source replaceable	No
		Number of gear units	1 unit
		Gear	-

SmartBalance, surface mounted

Driver/power unit/transformer	PSD [Power supply unit with DALI interface]
Driver included	Yes
Optic type	No [-]
Optical cover/lens type	ACC-MLO [Acrylate micro-lens optic clear]
Luminaire light beam spread	100°
Emergency lighting	No [-]
Control interface	DALI
Connection	PI [Push-in connector 3-pole]
Cable	-
Protection class IEC	Safety class I (I)
Glow-wire test	650/5 [Temperature 650 °C, duration 5 s]
Flammability mark	F [For mounting on normally flammable surfaces]
CE mark	CE mark
ENEC mark	ENEC mark
UL mark	No
Warranty period	5 years
Glare-shielding accessories	No [-]
Constant light output	No
Number of products on MCB (16 A type B)	20
EU RoHS compliant	Yes
Product family code	SM480C [SmartBalance Surface Mounted]
Unified glare rating CEN	19

Light Technical

Saturated Red	>50
---------------	-----

Operating and Electrical

Input Voltage	220-240 V
Input frequency	50 to 60 Hz
Average CLO power consumption	- W
Inrush current	48 A
Inrush time	0.180 ms
Power factor (min.)	0,9

Controls and Dimming

Dimmable	Yes
----------	-----

Mechanical and Housing

Housing material	Polycarbonate
Reflector material	-
Optic material	-
Optical cover/lens material	Acrylate
Gear tray material	Steel
Fixation material	Steel

Optical cover/lens finish	Textured
Overall length	1340 mm
Overall width	240 mm
Overall height	52 mm
Colour	White
Dimensions (height x width x depth)	52 x 240 x 1340 mm (2 x 9.4 x 52.8 in)

Approval and Application

Ingress protection code	IP20 [Finger-protected]
Mech. impact protection code	IK02 [0.2 J standard]

Initial Performance (IEC Compliant)

Initial luminous flux (system flux)	3500 lm
Luminous flux tolerance	+/-10%
Initial LED luminaire efficacy	119 lm/W
Lamp colour temperature	3000 K
Colour Rendering Index	>90
Initial chromaticity	(0.38, 0.38) SDCM <3
Initial input power	29.5 W
Power consumption tolerance	+/-10%

Over Time Performance (IEC Compliant)

Control gear failure rate at median useful life 50,000 h	5 %
Lumen maintenance at median useful life* 50,000 h	L85

Application Conditions

Ambient temperature range	+10 to +40 °C
Performance ambient temperature Tq	25 °C
Maximum dimming level	1%
Suitable for random switching	No

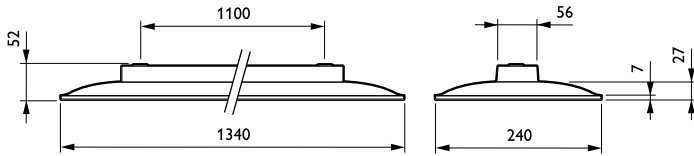
Product Data

Full product code	871869996485600
Order product name	SM480C LED35S/930 PSD ACC-MLO WH
EAN/UPC – product	8718699964856
Order code	910505100279
SAP numerator – quantity per pack	1
Numerator – packs per outer box	1
SAP material	910505100279
SAP net weight (piece)	4.500 kg



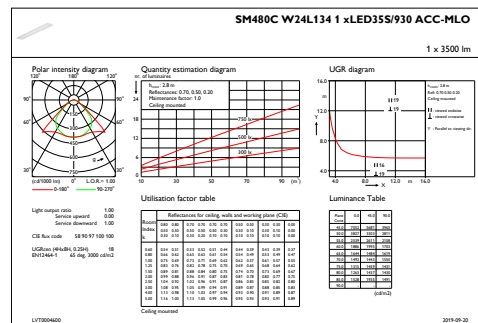
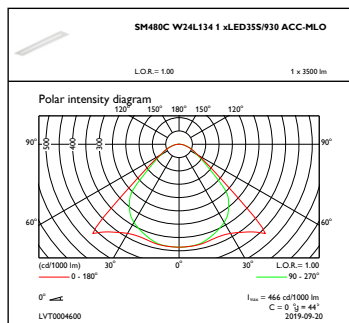
SmartBalance, surface mounted

Dimensional drawing



SmartBalance SM480C

Photometric data



OFPC1_SM480CW24L1341xLED35S930ACC-MLO

IFGU1_SM480CW24L1341xLED35S930ACC-MLO

