



# Tango G3 - BVP38x

## BVP382 LED260/NW 200W 220-240V SWB ANZ

The energy-saving Philips Tango G3 LED Floodlight is the ideal solution for a wide range of Area lighting applications. It incorporates the LED light source, optical system, heat sink and driver into one compact and robust housing that meets globally recognised safety standards. Its specially designed heat sink incorporates aesthetics and functionality to ensure excellent reliability. Powered by LED technology, this luminaire delivers superior performance and a longer lifetime, bringing area lighting to a whole new level.

### Product data

General Information		Light Technical	
Lamp family code	-	Constant light output	No
Lamp colour code	Neutral white	Number of products on MCB (16 A type B)	3
Light source replaceable	Yes	EU RoHS compliant	No
Number of gear units	-	Light source engine type	LED
Driver/power unit/transformer	PSU [ Power supply unit]	Serviceability class	-
Driver included	Yes	<b>Operating and Electrical</b>	
Optical cover/lens type	PC-MLO [ Polycarbonate micro lens optic]	Input Voltage	220-240 V
Luminaire light beam spread	85° x 85°	Input frequency	50 or 60 Hz
Control interface	-	Initial CLO power consumption	- W
Connection	Flying leads/wires	Average CLO power consumption	- W
Cable	Cable 1.5 m without plug (C1K5)	End CLO power consumption	- W
Protection class IEC	Safety class I (I)	Inrush current	92 A
Flammability mark	NO [ -]	Inrush time	0.44 ms
CE mark	-		
ENEC mark	-		
Warranty period	3 years		
Optic type outdoor	Symmetrical wide beam		

# Tango G3 - BVP38x

Power factor (min.)	0.95
---------------------	------

## Controls and Dimming

Dimmable	No
----------	----

## Mechanical and Housing

Housing material	Aluminum die-cast
Reflector material	-
Optic material	Polycarbonate
Optical cover/lens material	Polycarbonate
Fixation material	Steel
Mounting device	MBA [ Mounting bracket adjustable]
Optical cover/lens shape	-
Optical cover/lens finish	Frosted
Overall length	500 mm
Overall width	97 mm
Overall height	498 mm
Effective projected area	0.17 m <sup>2</sup>
Colour	Aluminium and Grey

## Approval and Application

Ingress protection code	IP66 [ Dust penetration-protected, jet-proof]
Mech. impact protection code	IK08 [ 5 J vandal-protected]
Surge protection (common/differential)	Luminaire surge protection level up to 15 kV differential mode and 15 kV common mode

## Initial Performance (IEC Compliant)

Initial luminous flux	26000 lm
Luminous flux tolerance	+/-10%
Initial LED luminaire efficacy	130 lm/W
Lamp colour temperature	4000 K
Colour Rendering Index	70
Initial chromaticity	SDCM<=7
Initial input power	200 W
Power consumption tolerance	+/-10%

## Application Conditions

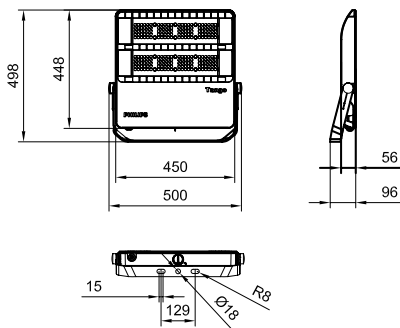
Ambient temperature range	-40 to +50 °C
Maximum dimming level	Not applicable

## Product Data

Full product code	911401611805
Order product name	BVP382 LED260/NW 200W 220-240V SWB ANZ
Order code	911401611805
SAP numerator – quantity per pack	1
Numerator – packs per outer box	1
Material no. (12 NC)	911401611805
Net Weight (Piece)	7.999 kg



## Dimensional drawing



BVP38x Tango G3

## Tango G3 - BVP38x

