



# CoreLine Waterproof

## WT120C G2 LED34S/840 PSU L1500

840 neutral white - Power supply unit

Whether for a new building or renovation of an existing space, customers want lighting solutions that provide quality of light and substantial energy and maintenance savings. The new CoreLine Waterproof range of LED products can be used to replace traditional waterproof luminaires with fluorescent lamps. The process of selecting, installing and maintaining is so easy – it's a simple switch.

### Product data

General Information	
Beam angle of light source	- °
Lamp colour code	840 neutral white
Light source replaceable	No
Number of gear units	1 unit
Driver/power unit/transformer	PSU [ Power supply unit]
Driver included	Yes
Optic type	110 [ Beam angle 110°]
Optical cover/lens type	MLO [ Micro-lens optic]
Luminaire light beam spread	105°
Control interface	-
Connection	PI [ Push-in connector 3-pole]
Cable	-
Protection class IEC	Safety class I (I)
Glow-wire test	850/30 [ Temperature 850 °C, duration 30 s]
Flammability mark	D [ For mounting on easily flammable surfaces]
CE mark	CE mark
ENEC mark	ENEC mark
Warranty period	5 years

Remarks	* - According to the Lighting Europe guidance paper 'Evaluating performance of LED based luminaires – January 2018': statistically there is no relevant difference in lumen maintenance between the B50 and, for example, the B10. Therefore, the median useful life (B50) value also represents the B10 value.
Constant light output	No
Number of products on MCB (16 A type B)	60
EU RoHS compliant	Yes
Unified glare rating CEN	25

### Operating and Electrical

Input Voltage	220 to 240 V
Input frequency	50 or 60 Hz
Inrush current	5.16 A
Inrush time	0.047 ms
Power factor (min.)	0.9

# CoreLine Waterproof

## Controls and Dimming

Dimmable	No
----------	----

## Mechanical and Housing

Housing material	Polycarbonate
Reflector material	Steel
Optic material	Polycarbonate
Optical cover/lens material	Polycarbonate
Gear tray material	Steel
Fixation material	Stainless steel
Optical cover/lens finish	-
Overall length	1515 mm
Overall width	80 mm
Overall height	76 mm
Colour	Grey
Dimensions (height x width x depth)	76 x 80 x 1515 mm (3 x 3.1 x 59.6 in)

## Approval and Application

Ingress protection code	IP65 [ Dust penetration-protected, jet-proof]
Mech. impact protection code	IK08 [ 5 J vandal-protected]

## Initial Performance (IEC Compliant)

Initial luminous flux (system flux)	3400 lm
Luminous flux tolerance	+/-10%
Initial LED luminaire efficacy	142 lm/W
Lamp colour temperature	4000 K
Colour Rendering Index	>80
Initial chromaticity	(0.38,0.38)SDCM<=3

Initial input power	24.3 W
Power consumption tolerance	+/-10%

## Over Time Performance (IEC Compliant)

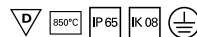
Control gear failure rate at median useful life 50,000 h	5 %
Lumen maintenance at median useful life* 50,000 h	L75

## Application Conditions

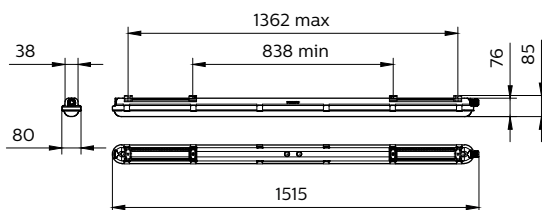
Ambient temperature range	-20 to +40 °C
Performance ambient temperature Tq	25 °C
Maximum dimming level	Not applicable
Suitable for random switching	Not applicable

## Product Data

Full product code	871829184047300
Order product name	WT120C G2 LED34S/840 PSU L1500
EAN/UPC – product	8718291840473
Order code	911401823680
Numerator – quantity per pack	1
SAP numerator – packs per outer box	9
Material no. (12 NC)	911401823680
Net Weight (Piece)	1.700 kg

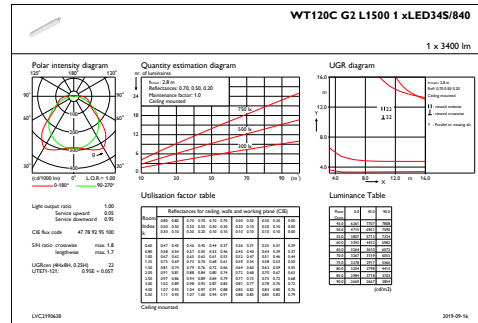
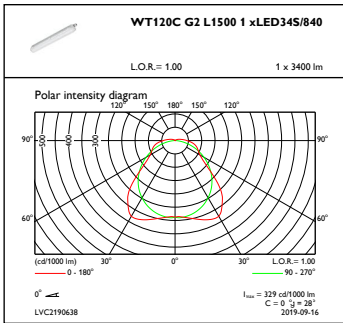


## Dimensional drawing



CoreLine Waterproof WT120C

## Photometric data



OFPC1\_WT120CG2L15001xLED34S840

IFGU1\_WT120CG2L15001xLED34S840

