



GreenSpace Surface-mounted

SM294C LED40/840 PSU WH GM

Power supply unit - High-gloss mirror - Reflector - 60°

Philips GreenSpace Surface-mounted LED Downlight delivers a superior LED alternative that's up to 66% more energy efficient than the conventional downlight retrofits. Blending seamlessly into its environment, GreenSpace Surface-mounted LED Downlight mimics the form of conventional recessed downlights minus the associated high energy and maintenance costs.; Philips GreenSpace Surface-mounted LED Downlight is also ideal for all commercial lighting applications as well as public indoor space where there is limited space in the ceiling.

Product data

General Information		Operating and Electrical	
Beam angle of light source	- °	Flammability mark	NO [-]
Lamp colour code	840 neutral white	CE mark	CE mark
Light source replaceable	No	ENEC mark	-
Number of gear units	1 unit	Warranty period	3 years
Driver/power unit/transformer	PSU [Power supply unit]	Constant light output	No
Driver included	Yes	Number of products on MCB (16 A type B)	24
Optic type	C [High-gloss mirror]	EU RoHS compliant	No
Optical cover/lens type	Reflector	LED engine type	LED
Luminaire light beam spread	60°		
Control interface	-	Input Voltage	220 to 240 V
Connection	No [-]	Input frequency	50 or 60 Hz
Cable	-	Inrush current	4 A
Protection class IEC	Safety class I (I)	Inrush time	0.05 ms
Glow-wire test	750/5 [Temperature 750 °C, duration 5 s]		

GreenSpace Surface-mounted

Power factor (min.)	0.9
---------------------	-----

Controls and Dimming

Dimmable	No
----------	----

Mechanical and Housing

Housing material	Aluminum die-cast
Reflector material	Aluminium
Optic material	Aluminum
Optical cover/lens material	-
Fixation material	-
Optical cover/lens finish	-
Overall length	0 mm
Overall width	0 mm
Overall height	170 mm
Overall diameter	160 mm
Colour	White

Approval and Application

Ingress protection code	IP20 [Finger-protected]
Mech. impact protection code	IK02 [0.2 J standard]

Initial Performance (IEC Compliant)

Initial luminous flux (system flux)	3800 lm
Luminous flux tolerance	+/-10%
Initial LED luminaire efficacy	100 lm/W
Lamp colour temperature	4000 K

Colour Rendering Index	>80
Initial chromaticity	(0.38, 0.38) SDCM <5
Initial input power	38 W
Power consumption tolerance	+/-10%

Over Time Performance (IEC Compliant)

Median useful life L70B50	50000 h
Median useful life L80B50	40000 h
Median useful life L90B50	20000 h

Application Conditions

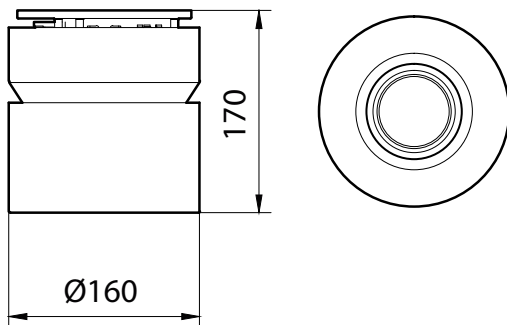
Ambient temperature range	-20 to +40 °C
Suitable for random switching	No

Product Data

Full product code	911401848699
Order product name	SM294C LED40/840 PSU WH GM
Order code	911401848699
Local code	SM294C38WNWFW
Numerator – quantity per pack	1
SAP numerator – packs per outer box	1
Material no. (12 NC)	911401848699
Net Weight (Piece)	0.799 kg



Dimensional drawing



SM291C/293C/294C/295C GreenSpace surface-mounted

GreenSpace Surface-mounted

