



# SmartBright LED Security Light

## BWS220 LED20/NW PSU

The SmartBright LED Security light is a PIR motion sensor activated twin head security light. With a wide detection range, brighter light output and instant-on LED technology, you can be assured your property is well lit for visibility at night.

### Product data

General Information	
Lamp colour code	840 neutral white
Light source replaceable	No
Driver included	Yes
Optical cover/lens type	No [-]
Luminaire light beam spread	120°
Control interface	-
Connection	SCREW [Screw connector]
Cable	-
Protection class IEC	Safety class I (I)
Flammability mark	F [For mounting on normally flammable surfaces]
CE mark	-
Number of products on MCB (16 A type B)	20
LED engine type	LED
Light Technical	
Standard tilt angle post-top	-
Standard tilt angle side entry	-

Operating and Electrical	
Input Voltage	240 V
Input frequency	50 to 60 Hz
Inrush current	5.25 A
Inrush time	0.0405 ms
Power factor (min.)	0.9
Controls and Dimming	
Dimmable	No
Mechanical and Housing	
Housing material	Metal-Plastic
Optical cover/lens material	Polycarbonate
Mounting device	Baseplate
Optical cover/lens finish	Frosted
Overall length	242 mm
Overall width	171 mm
Overall height	168 mm
Colour	black

# SmartBright LED Security Light

## Approval and Application

Ingress protection code	IP54 [ Dust accumulation-protected, splash-proof]
Mech. impact protection code	IK05 [ 0.7 J]

## Initial Performance (IEC Compliant)

Initial luminous flux (system flux)	2000 lm
Luminous flux tolerance	+/-10%
Initial LED luminaire efficacy	66.7 lm/W
Lamp colour temperature	4000 K
Colour Rendering Index	>80
Initial chromaticity	SDCM<7
Initial input power	30 W
Power consumption tolerance	+/-10%

## Application Conditions

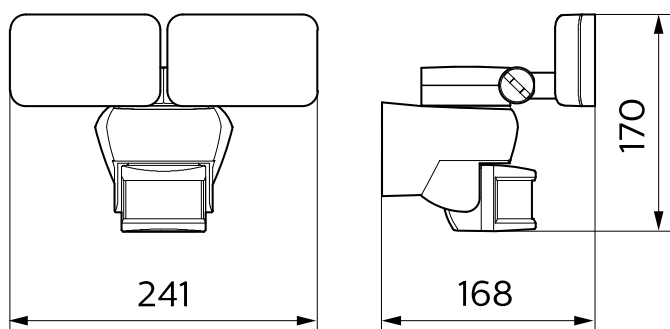
Ambient temperature range	-20 to +40 °C
---------------------------	---------------

## Product Data

Full product code	911401853597
Order product name	BWS220 LED20/NW PSU
EAN/UPC – product	8710163315256
Order code	911401853597
Local code	SBSLLED20NWF
Numerator – quantity per pack	1
SAP numerator – packs per outer box	8
Material no. (12 NC)	911401853597
Net Weight (Piece)	0.680 kg



## Dimensional drawing



BWS220 SmartBright LED

