



# InfraRed Industrial Heat Incandescent

## PAR38 IR 175W E27 240V Red 1CT/12

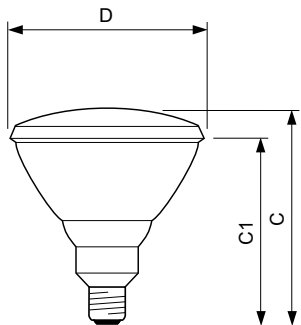
The Philips infrared incandescent reflector lamps are designed to work in the toughest environment such as farm, bathroom or kitchen and their nearest surrounding. They have a reinforced construction thanks to hard glass use. Their compact form and universal cap base allow them to be used with any suitable equipment. A very good method of generating warmth is by using heat lamps. The Philips infrared lamps provide direct, draught-free warmth to the animals, people, but also food. These benefits have made farmers, consumers and cooks around the world choose Philips infrared lamps, because they are the sturdiest, most efficient lamps available for these applications.

### Product data

General Information		Mechanical and Housing	
Cap base	E27 [ E27]	Lamp Finish	Red
Burning Position	H45 [ h45]	Bulb material	Hard Glass
Main application	Infrared Industrial		
Nominal lifetime (nom.)	5000 h	Product Data	
		Full product code	871150012898015
		Order product name	PAR38 IR 175W E27 240V Red 1CT/12
		EAN/UPC – product	8711500128980
		Order code	923801445507
		Local code	IRPAR38175WR
		Numerator – quantity per pack	1
		SAP numerator – packs per outer box	12
		Material no. (12 NC)	923801445507
		Net Weight (Piece)	308.000 g
Light Technical			
Colour Designation	R		
Operating and Electrical			
Power (Rated) (Nom)	175 W		
Voltage (Nom)	240 V		
Controls and Dimming			
Dimmable	Yes		

# InfraRed Industrial Heat Incandescent

## Dimensional drawing



Product	D	C (max)	C1 (max)
PAR38 IR 175W E27 240V Red 1CT/12	121 mm	136 mm	124 mm

PAR38 IR 175W E27 240V Red

