



Essential MV MR16 Alu

ESS MR16 50W GU10 240V 60D 4CT/5

The Essential MV MR16 Alu is part of the Philips "Value for Money" ranges. It is ideal for professional end-users looking for accent light - without a transformer - to create contrast in shops, hotels and restaurants.

Product data

General Information	
Cap base	GU10 [GU10]
Philips code	NA [-]
Burning Position	UNIVERSAL [Any/Universal]
Nominal lifetime (nom.)	2000 h

Light Technical	
Technical Beam Angle (Nom)	60 °
Luminous intensity (max.)	250 cd
Colour Temperature, horizontal (Nom)	2800 K
Colour Rendering Index,horiz (Nom)	100

Operating and Electrical	
Power (Rated) (Nom)	50 W
Starting time (nom.)	0.0 s
Voltage (Nom)	240 V

Controls and Dimming	
Dimmable	Yes

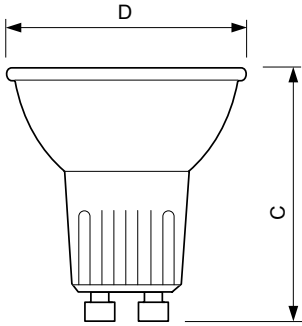
Mechanical and Housing	
Lamp Finish	Clear

Approval and Application	
Energy efficiency label (EEL)	Not applicable

Product Data	
Full product code	871150099378600
Order product name	ESS MR16 50W GU10 240V 60D 4CT/5
EAN/UPC – product	8711500993861
Order code	924885445586
Local code	ESGU1050W240V6
Numerator – quantity per pack	1
SAP numerator – packs per outer box	5
Material no. (12 NC)	924885445586
Net Weight (Piece)	0.046 kg

Essential MV MR16 Alu

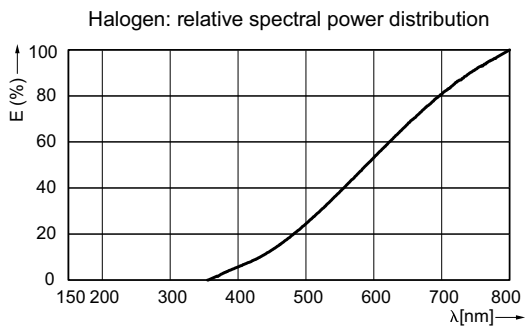
Dimensional drawing



TWIST Alu 50W GU10 240V 60D

Product	D (max)	C (max)
ESS MR16 50W GU10 240V 60D 4CT/5	50.7 mm	47.5 mm

Photometric data



Consumer Lamps, Halogen, Spectral power distribution

